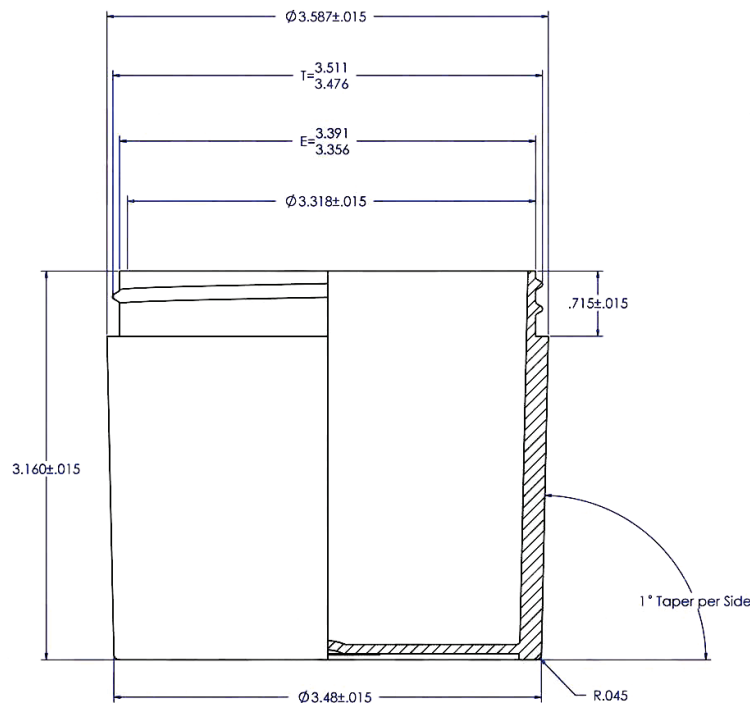


PACK CODE JAR2516-12oz
PACK TYPE J A R S
CATEGORY Skincare



PRODUCT DATA SHEET

DESCRIPTION Single thick wall jar all PP 12oz (also available in 1, 2, 4, 6, 8 & 12oz)
BENEFITS

- Maximum compatibility with your formula
- Optimum robustness thanks to the thick wall
- Price efficient
- Easy top filling (fill & screw on cap)
- Wide range of decoration
- Evacuation rate 100%

APPLICATIONS Creams, lotions, moisturizer, gel



TECHNICAL SPECIFICATIONS

GENERAL INFORMATION

DIMENSIONS

Total Height	3.160±.015mm
Diameter	$\varnothing 3.48 \pm .015$

PRODUCTION & PACKING

PRODUCTION

Lead time	4 - 6 weeks
MOQ	10k
Plant location	USA

MATERIALS

Jar	PP
Cap	PP

PACKING SPECS

	Carton Size	N.W	Qty/Ctn
Jar	24" x 16" x 20.2"	38 lbs	180
Smooth cap	20" x 14" x 14.5"	14.3 lbs	370
Dome cap	20" x 14" x 14.5"	14.3 lbs	350

CAPACITY

Declared	12oz
OFC	395ml ± 3%

DECO OPTIONS

Jar
 Injection color, silk screen, hot stamping
Cap
 Injection color, silk screen, hot stamping